



Alvium 1500 C

-500

- AR0521 CMOS sensor
- ALVIUM image processing
- MIPI CSI-2 interface
- Various hardware options

Model without hardware options

Embedded vision CSI-2 camera with AR0521 sensor

Alvium CSI-2 cameras enable new designs for embedded applications with improved image quality and reduced workload for the host. The innovative ALVIUM System on Chip (SoC) performs image corrections and preprocessing tasks onboard the camera instead of the embedded board. Unlike FPGAs commonly used in machine vision cameras, the ALVIUM SoC is extremely power efficient. With Alvium, integrating hardware and software can be done effortlessly, which ultimately reduces development time. The ON Semi AR0521 CMOS sensor enables imaging at 5.0 megapixel and 67 frames per second. Color models ship with an IR cut filter, monochrome and S-Mount models ship without a filter or protection glass.

Benefits and features

- Monochrome (1500 C-500m) and color (1500 C-500c) models
- ALVIUM® Technology for on-board image processing
- MIPI CSI-2 interface with up to 4 lanes
- Platform concept that enables the operation of different Alvium camera models with a common software
- Hirose HR FHH55 FPC connector with minimum space requirements for a compact design
- Precise sensor-to-lens mount alignment
- Standard M3 mounting holes for top and bottom mounting, standard M2 mounting holes for front mounting
- Industrial performance for embedded vision applications
- Easy-to-install [driver and code examples](#)



Hardware options

- Housing: Bare board or open housing
- Various lens mounts: C-Mount, CS-Mount, or S-Mount

For more information on hardware options, including product codes and technical data, such as technical drawings and mass, see the [Alvium Cameras Hardware Options](#) document.

Available accessories

- Tripod adapter
- Adapter boards connect to various embedded boards.
- FPC cables in 120 mm, 220 mm, and 420 mm length
- Various lenses and Allied Vision S-Mount lenses with focal lengths 2.97 - 12 mm

Specifications

Alvium 1500 C	-500
Interface	MIPI CSI-2, up to 4 lanes
Resolution	2592 (H) × 1944 (V)
Spectral range	300 to 1100 nm
Sensor	ON Semi AR0521SR
Sensor type	CMOS
Shutter mode	Rolling shutter
Sensor size	Type 1/2.5
Pixel size	2.2 μm × 2.2 μm
Lens mounts (available)	C-Mount, CS-Mount, S-Mount
Max. frame rate at full resolution	67 fps using 4 lanes, RAW8
ADC	10 Bit
Image buffer (RAM)	256 KB
Non-volatile memory (Flash)	1024 KB
Output	
Bit depth	Max. 10 Bit
YUV color pixel formats	YUV422 8-bit (UYVY) [MIPI CSI-2 (FOURCC)]
RGB color pixel formats	RBG888 (RGB3) [MIPI CSI-2 (FOURCC)]
Raw pixel formats	RAW8 (GREY) [MIPI CSI-2 (FOURCC)]
Operating conditions/dimensions	
Operating temperature	+5 °C to +65 °C housing temperature (with heat sink)
Power requirements (DC)	5 VDC over MIPI CSI-2
Power consumption	Typical: 1.9 W
Mass	10 g (bare board)
Body dimensions (L × W × H in mm)	7 × 26 × 26 (bare board)

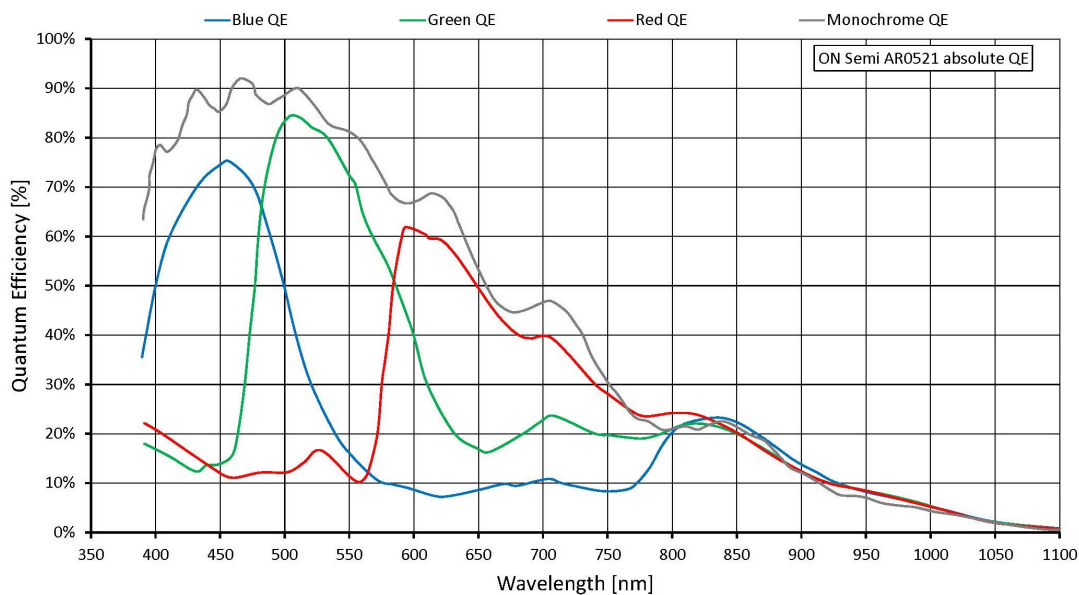
Alvium 1500 C

-500

Regulations

2011/65/EU, including amendment 2015/863/EU (RoHS)

Quantum efficiency



Features

Image control

Auto control

- Auto exposure
- Auto gain
- Auto white balance (color models)

Other image controls

- Black level
- De-Bayering up to 5×5 (color models)
- DPC (factory calibrated)
- Exposure time
- Gain
- Gamma
- Hue (color models)



- Region of interest (ROI)
- Reverse X/Y
- Saturation (color models)

Camera control

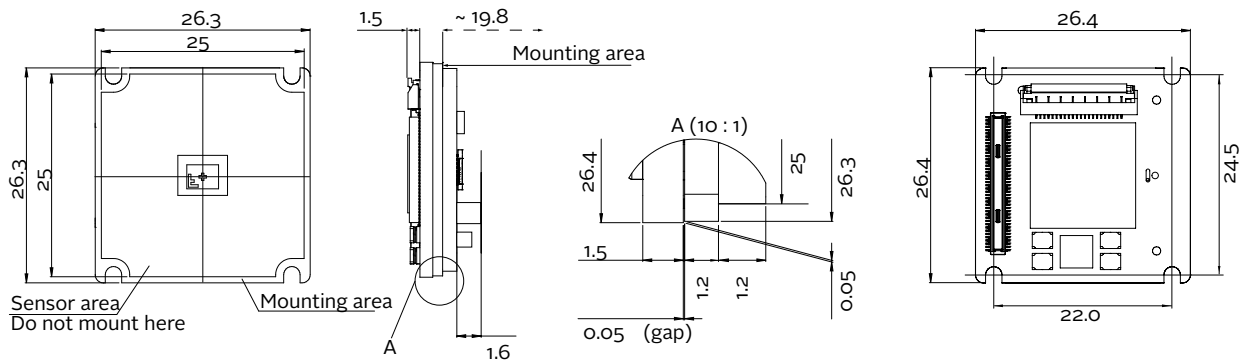
- Temperature monitoring (sensor board)

Technical drawing



Camera hardware options

The [Alvium Cameras Hardware Options](#) document informs about submodels, such as bare board or open housing cameras with different lens mounts.



Sensor and electronic components are schematics and vary between models.