

# Advanced Temperature Test (ATT) Systems

Thermal System: +20°C to 300°C, +30°C to 300°C

This guide defines the facility requirements for operation of your ATT Systems ambient and booster thermal systems for A160, C200, and C300 chucks. The thermal system discussed here is compatible with 150, 200 and 300 mm systems.



**NOTE**

A cooling booster is included with the 20°C to 200/300°C ATT thermal systems. It is mounted to the chamber exit panel on the rear of the probe station in a manner that requires no additional foot print. The cooling booster is a passive device that operates off the supplied volume of CDA and consumes no electrical power.

## Thermal System Requirements

Clean Dry Air (CDA)		<b>WARNING</b>	
		Operating the system without sufficient air pressure or flow can cause significant component damage. The control unit and the chiller must be connected to common ground.	
		FormFactor does not endorse or recommend using nitrogen instead of CDA for thermal system operation with any FormFactor system due to the risk of oxygen depletion in the working environment. If your testing configuration requires the use of nitrogen instead of CDA for MicroChamber purge, time in Quick Purge mode should be controlled. Discuss your setup with your safety and facilities departments to ensure that the oxygen flow in your working environment is adequate to dissipate any nitrogen build up. The use of oxygen sensor alarms is also recommended. For MicroChamber purge requirements, refer to your probe station Facility Planning Guide.	
		Cooling medium	<ul style="list-style-type: none"> <li>ISO 8573.1 Class 1.3.1 (-20°C dew point, oil less than 0.01 mg/m<sup>3</sup>)</li> </ul>
		Temperature	<ul style="list-style-type: none"> <li>Minimum: 5°C</li> <li>Maximum: 30°C</li> </ul>
		150 mm	<ul style="list-style-type: none"> <li>300 l/min (10.6 CFM) at SATP* supplied at 6-8 bar (87 - 116 psi) gage</li> <li>8 mm OD push-in tube connection</li> </ul>
200 mm	<ul style="list-style-type: none"> <li>400 l/min (14.1 CFM) at SATP* supplied at 6-8 bar (87 - 116 psi) gage</li> <li>8 mm OD push-in tube connection</li> </ul>		
300 mm	<ul style="list-style-type: none"> <li>400 l/min (14.1 CFM) at SATP* supplied at 6-8 bar (87 - 116 psi) gage</li> <li>8 mm OD push-in tube connection</li> </ul>		
Power	Controller	<ul style="list-style-type: none"> <li>Single phase: 100-127 VAC or (200) 208-240 VAC 50/60Hz</li> <li>1500 VA</li> <li>Source:                             <ul style="list-style-type: none"> <li>– North American: NEMA 5-20 for 100-127 VAC or NEMA L6-15 for 208-240 VAC</li> <li>– Europe: CEE VII (Schuko)</li> <li>– Other: consult factory</li> </ul> </li> </ul>	
Environmental Conditions	Thermal system heat rejection	Cooling media air is used to cool the chuck and is exhausted into the surrounding environment	
	Ambient temperature	<ul style="list-style-type: none"> <li>+18°C to +28°C</li> </ul>	
	Relative humidity	<ul style="list-style-type: none"> <li>20% to 60%</li> </ul>	
Communications		<ul style="list-style-type: none"> <li>RS-232</li> </ul>	
Dimensions (WxDxH)	Controller	<ul style="list-style-type: none"> <li>See <a href="#">Dimensions (in mm)</a> on page 2.</li> </ul>	
	Cooling booster	<ul style="list-style-type: none"> <li>No additional footprint required</li> </ul>	
Weight	Controller	<ul style="list-style-type: none"> <li>~11 kg (24 pounds)</li> </ul>	

# Advanced Temperature Test (ATT) Systems

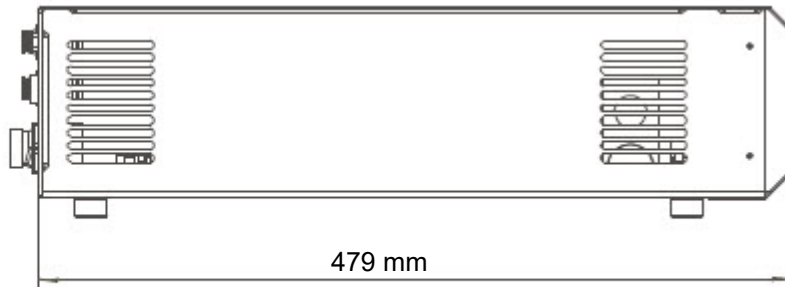
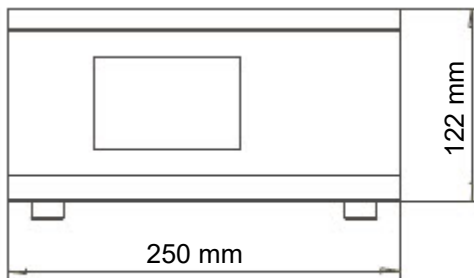
Thermal System: +20°C to 300°C, +30°C to 300°C

<b>Shipping Dimensions (WxDxH)</b>	Controller and box	• 570 x 500 x 300 mm (22 x 20 x 12 in.)
<b>Shipping Weight</b>	Controller and box	• ~14.8 kg (32.6 pounds)

\* Standard Ambient Temperature And Pressure (SATP)

## Dimensions (in mm)

Controller

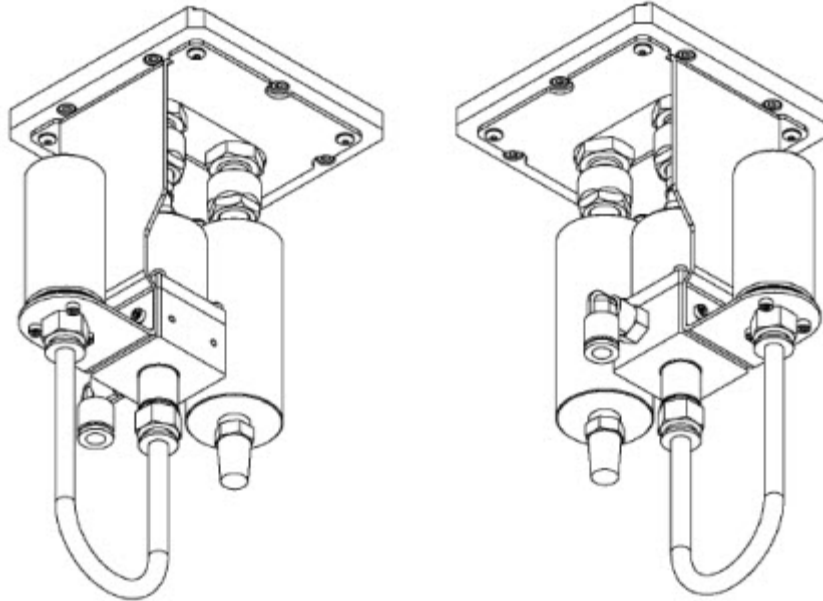


# Advanced Temperature Test (ATT) Systems

Thermal System: +20°C to 300°C, +30°C to 300°C

---

C200/C300 cooling booster  
(no additional footprint required)



© Copyright 2018-2020 FormFactor, Inc. All rights reserved. No part of this document may be reproduced, transmitted or displayed in any form or by any means except as duly authorized by FormFactor, Inc. FormFactor and the FormFactor logo are trademarks of FormFactor, Inc. All other trademarks are the property of their respective owners.

## Important Notice

While the information contained herein is believed to be accurate as of the date hereof, no express or implied representations or warranties are made with respect to its accuracy or completeness. FormFactor, Inc., and its subsidiaries disclaim liability for any inaccuracies or omissions. All information is subject to change without notice.

Users are required to read and follow carefully all safety, compliance and use instructions. Users assume all loss and liability arising from the use of products in any manner not expressly authorized. The conditions and methods of use of products and information referred to herein are the entire responsibility of the user and, to the maximum extent permitted by applicable law, FormFactor, Inc., and its subsidiaries shall not be liable for any damages, losses, costs or expenses arising out of, or related to, the use thereof.

No license, express or implied, by estoppel or otherwise, under any intellectual property right is granted in connection herewith. Users shall take all actions required to avoid intellectual property infringement.

## Corporate Headquarters

7005 Southfront Road  
Livermore, CA 94551  
Phone: 925-290-4000  
[www.formfactor.com](http://www.formfactor.com)

