

HARDWARE ISOLATION PLATFORM

Highly scalable with unprecedented data transfer rates, the Hardware Isolation Platform is a dual-segment solution that combines cutting-edge security and adaptive capabilities to ensure guaranteed spacial isolation of critical data and optimize diverse workloads.



CROSS DOMAIN SOLUTION

Control comms and data transfer between domains of different classification levels with an FPGA hardware firewall.



DATA ISOLATION

Remote areas of memory create a data buffer between CPUs or virtual machines, securely storing frequently accessed data.



MIXED CRITICALITY

Integrate workloads with different criticalities on a single platform while prioritizing higher criticality tasks over lower ones.



Unmatched Performance

<400ns unloaded latency
 ~20GB/s bandwidth

Experience lightning-fast, secure data transfer, robust data isolation, and efficient management with our cutting-edge solution.

Set new industry standards for speed, efficiency, and control across domains.

Trust our solution for unparalleled performance and reliability in diverse data environments.

Powered by

MULTI-LAYER SECURITY | ZERO TRUST ARCHITECTED



CXL is a high-speed interconnect technology providing a unified, efficient interface for connecting host processors and accelerators.



Strict revision control is achieved through Trenton's approved vendor list (AVL), ensuring engineer-vetted parts.



Longevity is at the core of what we do thus enabling our customers to receive their US-made solution for decades to come.



AgileX7 FPGA is a programmable device that optimizes performance and power efficiency while providing flexibility and scalability.



Counterfeit Protection Program (CPP) helps Trenton detect, remove, and destroy counterfeit parts and components.



TAA-compliance is achieved because Trenton manufactures its systems and solutions in the United States.



Full Infrastructure Offload provides an extra layer of security by serving as a control point of the host for running applications.



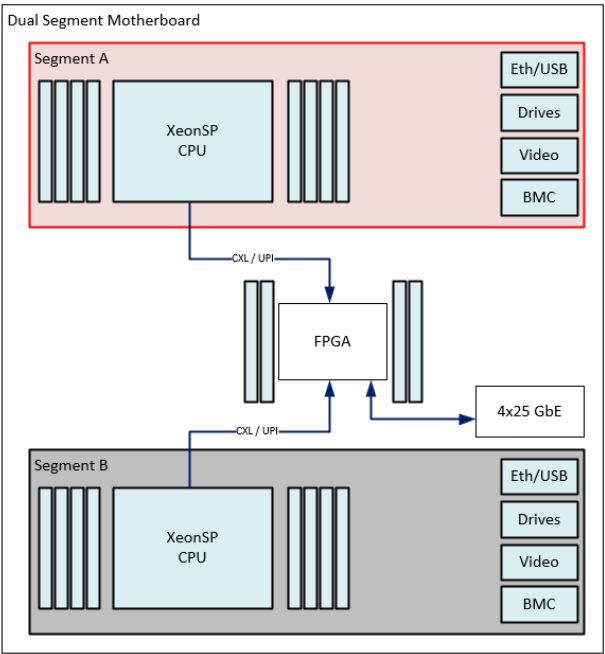
Vetted supply chain helps protect your system from potentially compromised counterfeit electronic parts and components.



CSfC, CMMC, and AS9100D adherence and compliance allow Trenton to consistently provide secure, high-quality computing solutions.

[Contact Us](#)

GET IN TOUCH
[trentonsystems.com](https://www.trentonsystems.com)
sales@trentonsystems.com
+1 (770)-287-3100



HARDWARE-BASED ISOLATION

A secure platform that partitions CPUs individually and allows independent security domains with independent memory access rules. Run multiple applications, networks, and services on a single piece of hardware without interference or resource contention.

Technical Specifications

SPECIFICATION	DETAILS
Processing	Intel® 4th Gen Xeon® SP CPUs
Memory	DDR5-4800
Storage	2x SATA M.2 SSDs
Form Factors	2U rack mount server at 20" depth
Network Interface	2x 10 GbE, 4x 1 GbE with IPMI
Power	1200W

Designed with next-gen processing, offloading, and management technologies to handle a diverse range of evolving application and program needs, enabling seamless and secure collaboration across domains.

Contact Us for more information.

770.287.3100 | info@trentonsystems.com

