

NETWORK INFRASTRUCTURE OPTIMIZATION SOLUTION

Designed with Intel's IPU E2000 ASIC, the Network Infrastructure Optimization Solution is a secure, configurable network infrastructure acceleration, monitoring, and management platform serve critical applications and services across data centers or at the network edge.



SOFTWARE-DEFINED, HARDWARE-ACCELERATED

Accelerate critical applications and services with a single piece of hardware equipped with software that enhances functionality and programmability.



NETWORK VISIBILITY AND DATA ANALYSIS

Detect anomalies in network traffic with sub-10 nanosecond precision timestamping while encrypting data packets traveling between devices.



ENABLE STREAMLINED MANAGEMENT

Run multiple workloads in parallel at 200Gbps line rate speeds without interference or resource contention within diverse data environments.



Solution Overview



Revolutionary compute performance with Neoverse N1 ARM



4x25 GbE with line-rate packet capture, observation, and analysis



LP-DDR memory transfers data faster with less energy



High-endurance Intel Optane SSDs provide robust storage for packet capture and analysis

Powered by intel.

MULTI-LAYER SECURITY | ZERO TRUST ARCHITECTED



Intel® IPU E2000 is the next-gen programmable network device for packet processing, filtering, and routing.



P4 defines packet processing pipelines, enabling flexible and programmable network infrastructure.



Data Packet Development Kit (DPDK) open-source software framework enables high-performance packet processing.



IPSec secures communications over networks by providing authentication, confidentiality, and integrity for packets.



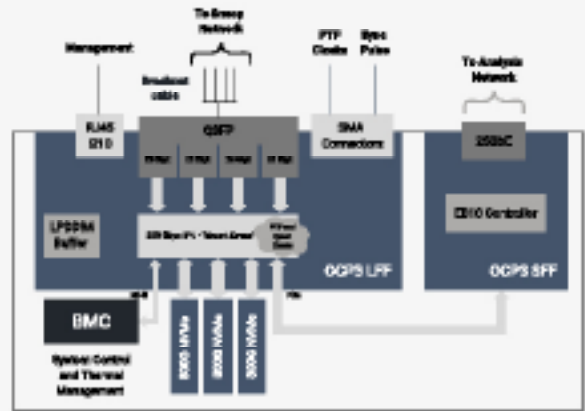
PTP 2.0 provides high precision for accurate packet timestamping (sub 10ns precision) in distributed systems.



Customization capabilities helps Trenton craft a system according to your technical, performance, and environmental specifications.

[Contact Us](#)

GET IN TOUCH
trentonsystems.com
sales@trentonsystems.com
 +1 (770) 287-3100



OPTIONS: TWO IN ONE OR HALF-RACK

Two separate IPU systems inside one chassis designed to balance general purpose compute with highly intelligent infrastructure acceleration and system-level security, control, and isolation.

Technical Specifications

SPECIFICATION	DETAILS
Processing	16x ARM Neoverse N1 Cores, per segment
Memory	3CH - 48GB of LP-DDR RAM, per segment
Storage	3x Intel® Optane SSD DC P5800X Series drives, per segment
Form Factors	1U rack mount network appliance (19" x 1.75" x 19")
Network Interface	4x 25GbE QSFP28 snooping port, 1x 25GbE SFP28 analysis port, 1x RJ-45 1GbE management port with IPMI, per segment
Power	110/220VAC auto-ranging power supply, 175W, per segment

Accelerates network and storage infrastructures in the data center or at the edge. It can operate as a network packet broker or a network tap for guaranteed quality of service (QoS).

Contact Us for more information.

770.287.3100 | info@trentonsystems.com

