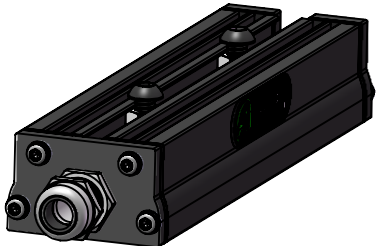
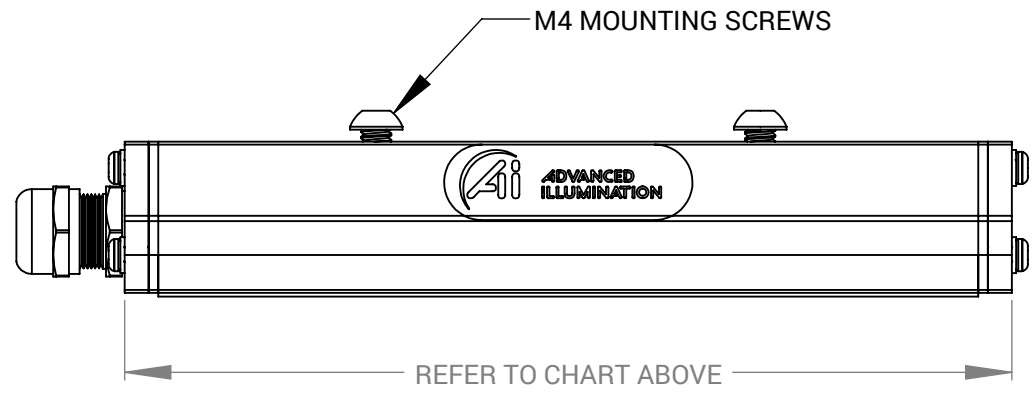
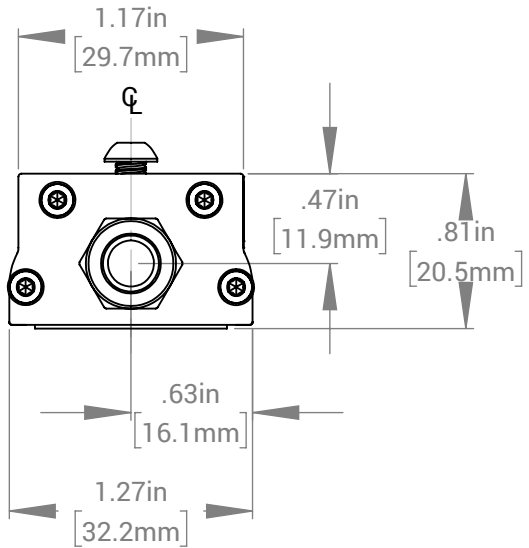
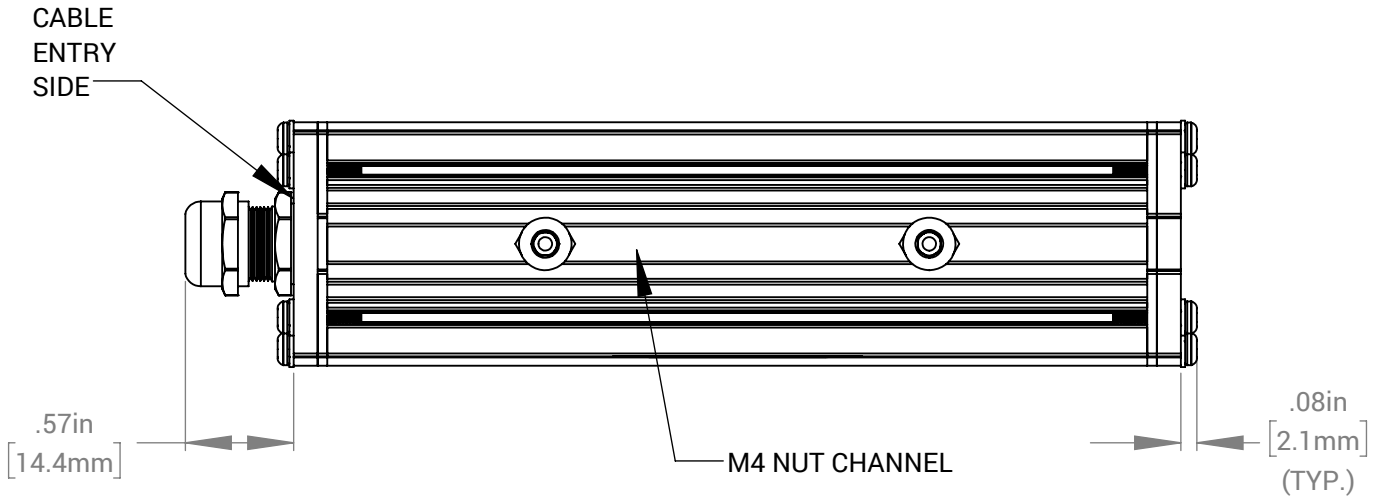


AL116 LENGTH MATRIX

PART #	LENGTH IN INCHES (mm)
AL11602	2.62 (66.6 mm)
AL11604	4.62 (117.3 mm)
AL11606	6.62 (168.2 mm)
AL11608	8.62 (219.0 mm)
AL11610	10.62 (269.8 mm)
AL11612	12.62 (320.6 mm)
AL11614	14.62 (371.4 mm)
AL11616	16.62 (422.2 mm)
AL11618	18.62 (473.0 mm)
AL11620	20.62 (523.8 mm)

REVISIONS			
REV.	DESCRIPTION	DATE	DCN NO
-	FOR QUOTING PURPOSES ONLY		



FOR REFERENCE ONLY

PROPRIETARY AND CONFIDENTIAL
 THESE DRAWINGS AND SPECIFICATIONS ARE THE EXCLUSIVE PROPERTIES OF ADVANCED ILLUMINATION INCORPORATED ISSUED IN STRICT CONFIDENCE AND SHALL NOT, WITHOUT THE PRIOR WRITTEN PERMISSION OF ADVANCED ILLUMINATION INC BE REPRODUCED, COPIED OR USED FOR ANY PURPOSE WHATSOEVER EXCEPT THE MANUFACTURE OF ARTICLES FOR ADVANCED ILLUMINATION INC

CUT USING: -		UNLESS OTHERWISE SPECIFIED:	DATE	NAME
		SURFACE SHOULD BE FREE OF SCRATCHES, BURRS, AND DENTS	20-AUG-2018	T.MILLS
		DIMENSIONS ARE IN: INCHES		
		<u>TOLERANCES</u>		
		FRACTIONAL: 1/16		
		ANGULAR: MACH ± 1 BEND ± 1		
		TWO PLACE DECIMAL ± .010		
		THREE PLACE DECIMAL ± .005		
NEXT ASSY	USED ON	MAKE FROM		
APPLICATION				

4" UNIT WEIGHT: 1.88 lbs

440 STATE GARAGE ROAD, ROCHESTER, VERMONT 05767	
TITLE: DRAWING, INSTALLATION, AL116 (SEALED)	
SIZE A	DWG. NO. AL116 (SEALED)
SCALE: NTS C CODE: -	REV -
SHEET 1 OF 1	