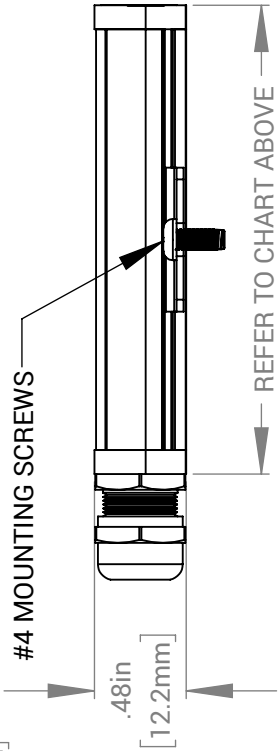
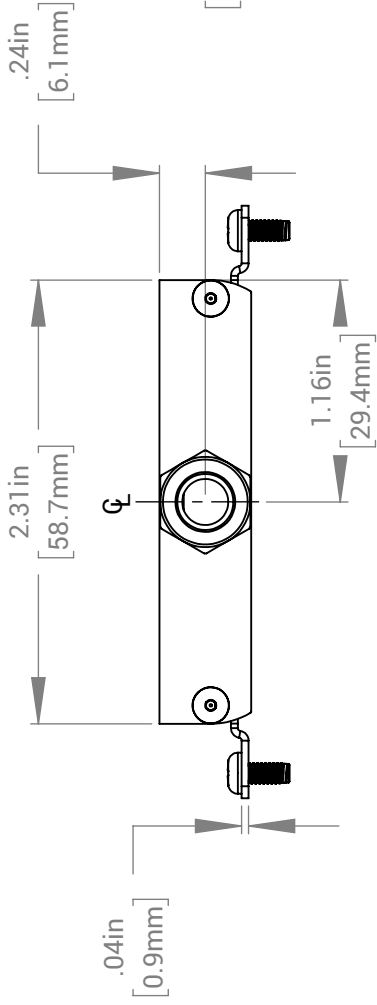
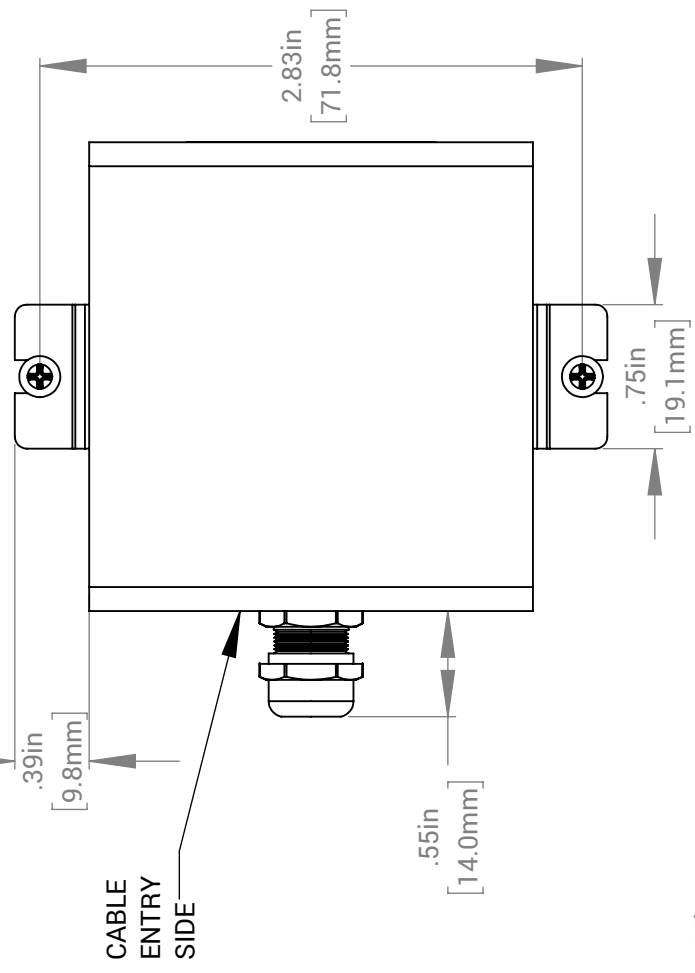


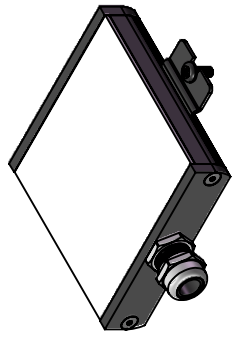
BL128 LENGTH MATRIX	
PART #	LENGTH IN INCHES (mm)
BL12801	1.44 (36.6 mm)
BL12802	2.44 (62.0 mm)
BL12803	3.44 (87.4 mm)
BL12804	4.44 (112.8 mm)
BL12805	5.44 (138.2 mm)
BL12806	6.44 (163.6 mm)
BL12807	7.44 (189.0 mm)
BL12808	8.44 (214.4 mm)
BL12809	9.44 (239.8 mm)
BL12810	10.44 (265.2 mm)
BL12811	11.44 (290.6 mm)
BL12812	12.44 (316.0 mm)
BL12813	13.44 (341.4 mm)
BL12814	14.44 (366.8 mm)

REV.	DESCRIPTION	DATE	DCN NO
-	FOR QUOTING PURPOSES ONLY		

REVISIONS



**2" UNIT WEIGHT: 0.50 lbs**



**PROPRIETARY AND CONFIDENTIAL**  
 THESE DRAWINGS AND SPECIFICATIONS ARE THE EXCLUSIVE PROPERTY OF ADVANCED ILLUMINATION INC. INCORPORATED. ISSUED IN STRICT CONFIDENCE AND SHALL NOT, WITHOUT THE PRIOR WRITTEN PERMISSION OF ADVANCED ILLUMINATION INC. BE REPRODUCED, COPIED OR USED FOR ANY PURPOSE WHATSOEVER EXCEPT THE MANUFACTURE OF ARTICLES FOR ADVANCED ILLUMINATION INC.

CUT USING: -	UNLESS OTHERWISE SPECIFIED: SURFACE SHOULD BE FREE OF SCRATCHES, BURRS, AND DENTS	NAME: AI ADVANCED ILLUMINATION	DATE: 24-MAR-21	REV: -
	DIMENSIONS ARE IN: INCHES	DRAWN: -	CHECKED: -	TITLE: DRAWING, INSTALLATION, BL128 (NONSEALED)
	TOLERANCES	APPROVED: -	MATERIAL: -	SIZE DWG. NO: A BL128 (NONSEALED)
	FRACTIONAL: 1/16	FINISH: -		SCALE: NTS C CODE: - SHEET 1 OF 1
	ANGULAR: MACH: 1 BEND: 1			
	TWO PLACE DECIMAL: .010			
	THREE PLACE DECIMAL: .005			
	MAKE FROM: -			
NEXT ASSY	USED ON			
APPLICATION				

FOR REFERENCE ONLY