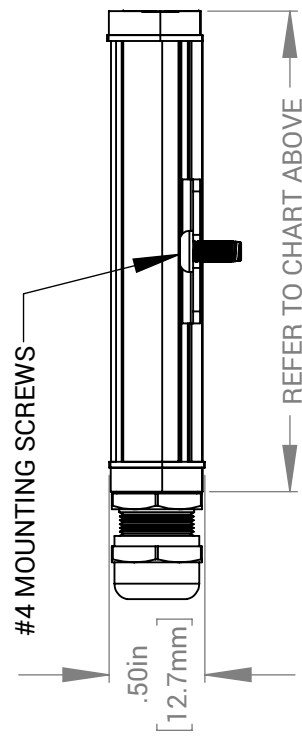
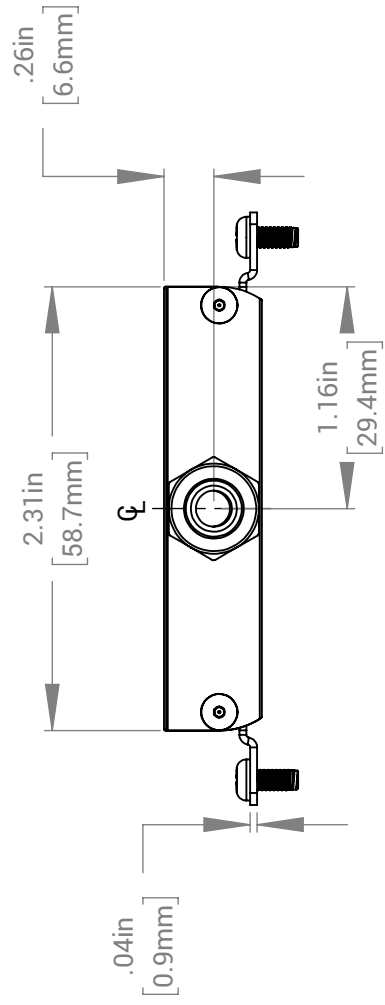
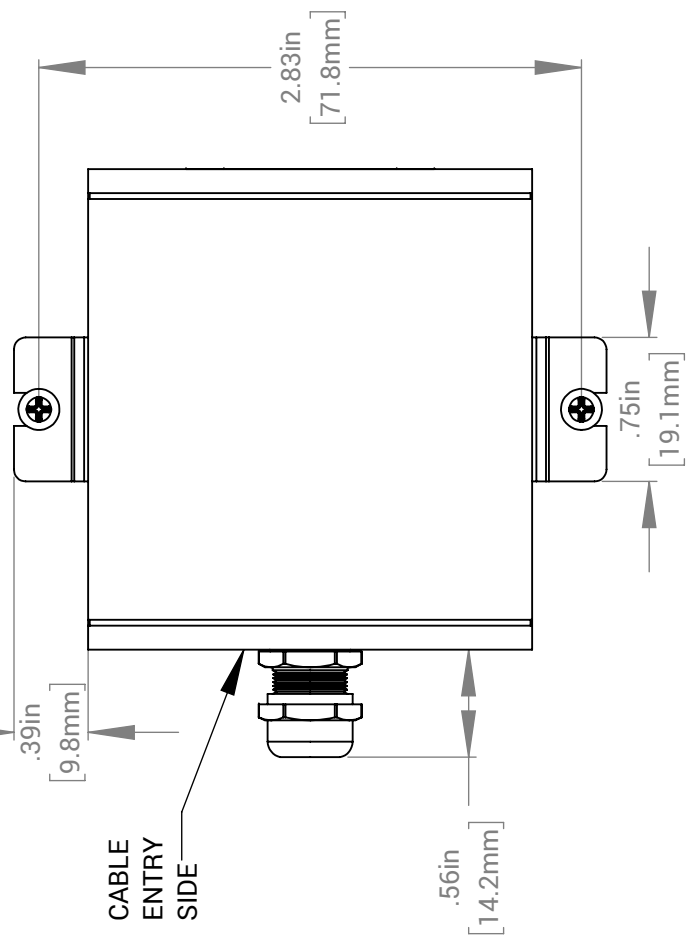


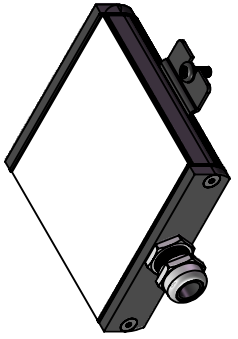
REV. -		DESCRIPTION		DATE		DCN NO	
FOR QUOTING PURPOSES ONLY							

BL 128 LENGTH MATRIX	
PART #	LENGTH IN INCHES (mm)
BL12801	1.50 (38.1 mm)
BL12802	2.50 (63.5 mm)
BL12803	3.50 (88.9 mm)
BL12804	4.50 (114.3 mm)
BL12805	5.50 (139.7 mm)
BL12806	6.50 (165.1 mm)
BL12807	7.50 (190.5 mm)
BL12808	8.50 (215.9 mm)
BL12809	9.50 (241.3 mm)
BL12810	10.50 (266.7 mm)
BL12811	11.50 (292.1 mm)
BL12812	12.50 (317.5 mm)
BL12813	13.50 (342.9 mm)
BL12814	14.50 (368.3 mm)



2" UNIT WEIGHT: 0.50 lbs

UNLESS OTHERWISE SPECIFIED: SURFACE SHOULD BE FREE OF SCRATCHES, BURRS, AND DENTS		DRAWN	DATE	NAME	440 STATE GARAGE ROAD, ROCHESTER, VERMONT 05767
DIMENSIONS ARE IN: INCHES		CHECKED	-	-	
TOLERANCES		APPROVED	-	-	
FRACTIONAL: 1/16		TITLE: DRAWING, INSTALLATION, BL128, (SEALED)			
ANGULAR: MACH: 1 BEND: 1		SIZE DWG. NO. BL128 (SEALED)			
TWO PLACE DECIMAL: .010		REV -			
THREE PLACE DECIMAL: .005		SCALE: NTS C CODE: - SHEET 1 OF 1			
MAKE FROM		APPLICATION			



FOR REFERENCE ONLY