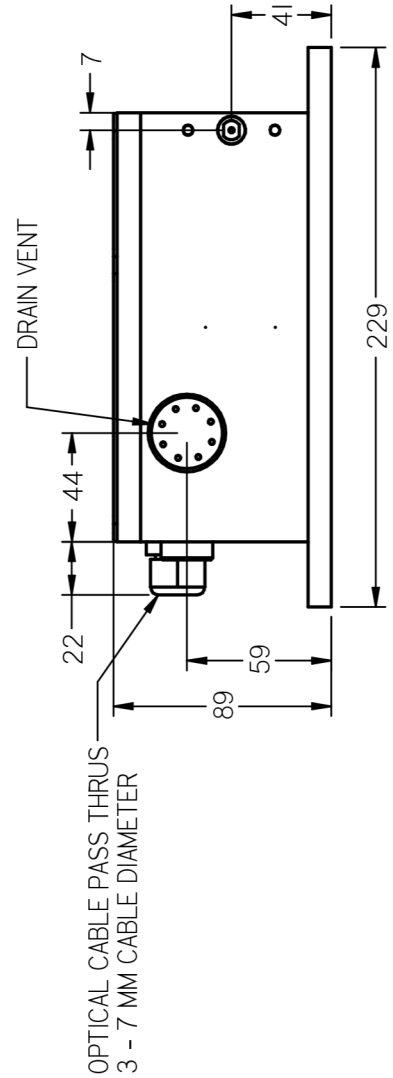


os5500 DISPLACEMENT GAGE	
RANGE	OVERTRAVEL
150 MM	315 MM
300 MM	165 MM
450 MM	15 MM

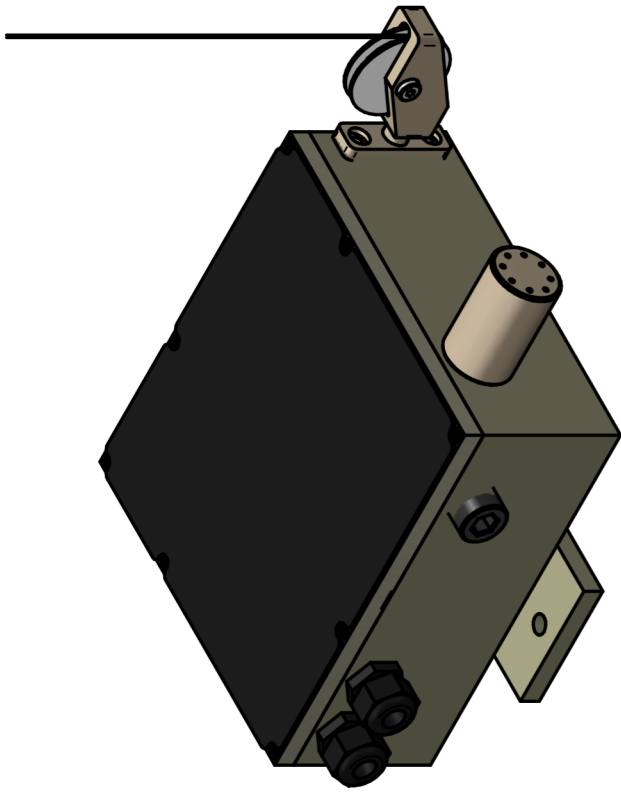
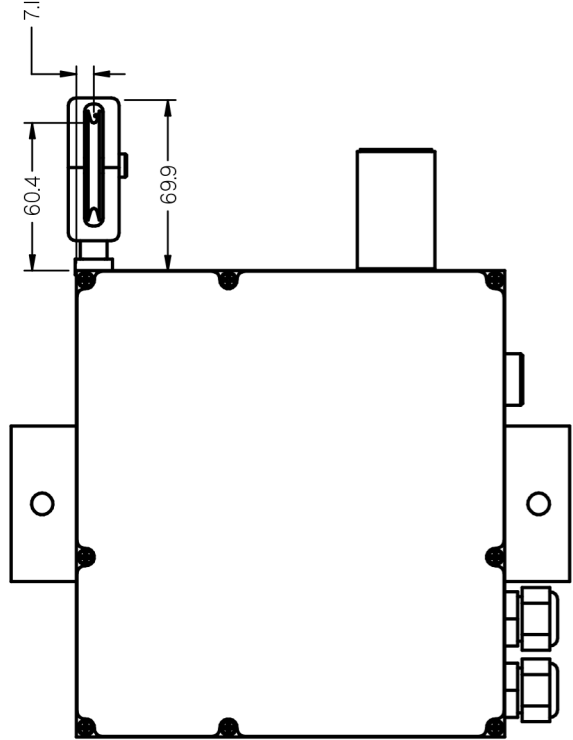


MICRON OPTICS - PROPRIETARY
 THIS DOCUMENT CONTAINS PROPRIETARY INFORMATION AND MAY NOT BE REPRODUCED IN WHOLE OR PART WITHOUT THE EXPRESS WRITTEN PERMISSION OF MICRON OPTICS. IN THE EVENT OF THE REPRODUCTION OF THIS DOCUMENT, THE USER WITHOUT FIRST SECURING THE PROPER WRITTEN APPROVAL OF MICRON OPTICS.

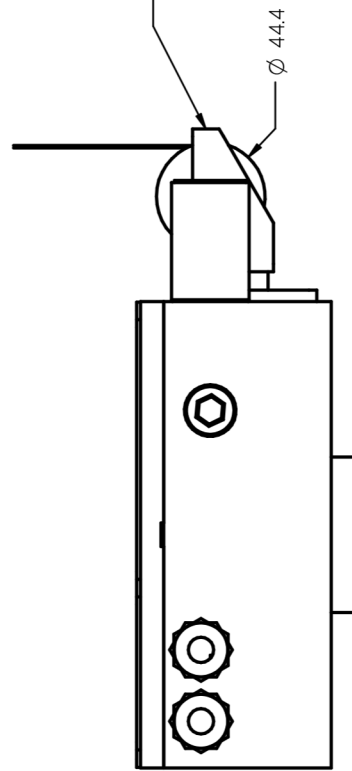
THIS ENGLISH DRAWING HAS BEEN PREPARED IN ACCORDANCE WITH ANSI Y14.5M - 1982. DIMENSIONS SHOWN IN BRACKETS ARE MILLIMETERS AND FOR REFERENCE.

os5500 DISPLACEMENT GAGE
 CUSTOMER DRAWING

DESIGNED BY	DOS	DRAWN BY		FINAL APPROVAL		SHEET NO.	B	OF 2
							DRAWING NO.	



SHEAVE IS INFINITELY ADJUSTABLE
BY ROTATING AROUND WIRE ROPE AXIS
AT THE POINT OF EXIT FROM GAGE HOUSING.



MICRON OPTICS - PROPRIETARY
THIS DOCUMENT CONTAINS PROPRIETARY INFORMATION AND
MAY NOT BE REPRODUCED IN WHOLE OR PART WITHOUT THE
EXPLICIT WRITTEN PERMISSION OF MICRON OPTICS. UNDER
NO CIRCUMSTANCES SHALL THIS DOCUMENT BE REPRODUCED
OR TRANSMITTED IN ANY FORM OR BY ANY MEANS, ELECTRONIC
OR MECHANICAL, INCLUDING PHOTOCOPYING, RECORDING,
WITHOUT FIRST SECURING THE PROPER WRITTEN APPROVAL OF MICRON
OPTICS.

THIS ENGLISH DRAWING HAS BEEN PREPARED IN
ACCORDANCE WITH ANSI Y14.5M - 1982. DIMENSIONS
SHOWN IN BRACKETS ARE MILLIMETERS AND
FOR REFERENCE.

os5500 DISPLACEMENT GAGE
CUSTOMER DRAWING
WITH UNIVERSAL ACCESSORY SHEAVE

DESIGNED BY	DOS	DRAWN BY		FINAL APPROVAL		SHEET NO.	B	2 OF 2
						DRAWING NO.		

