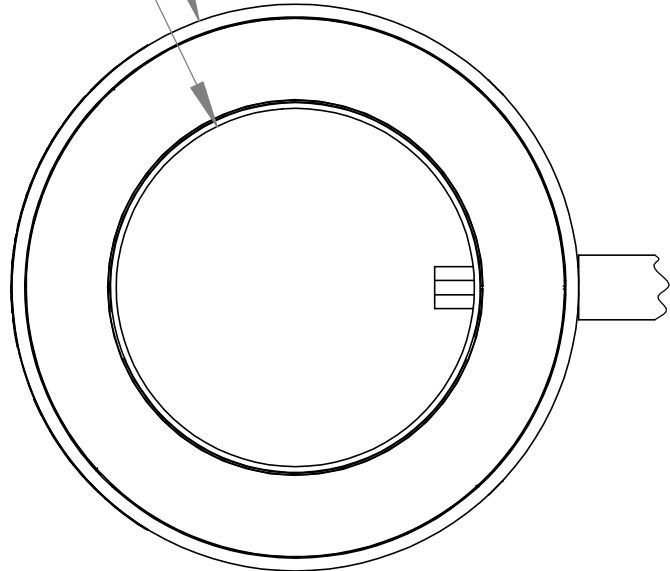


REVISIONS			
REV.	DESCRIPTION	DATE	DCN NO
-	FOR QUOTING PURPOSES ONLY		

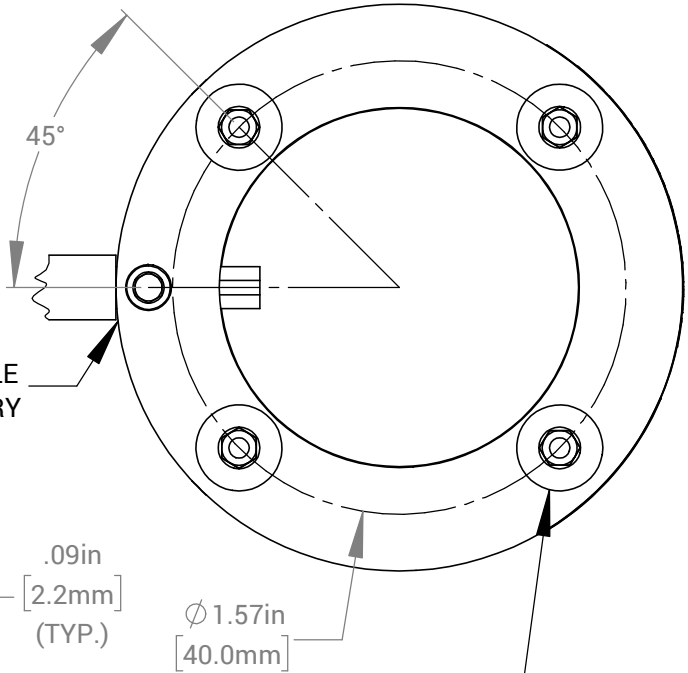
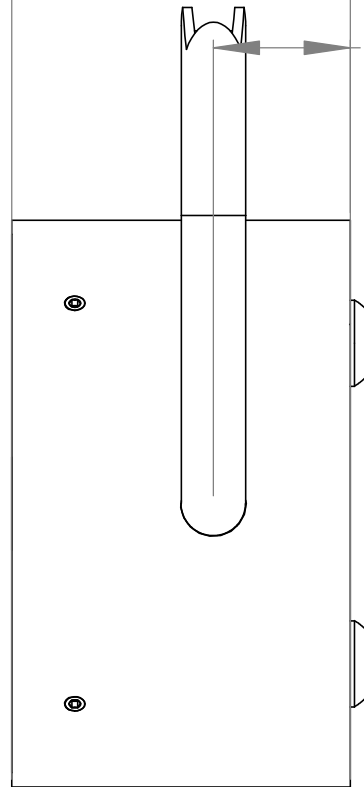
Ø 1.97in  
[50.0mm]

Ø 1.24in  
[31.6mm]



1.18in  
[29.8mm]

.48in  
[12.1mm]



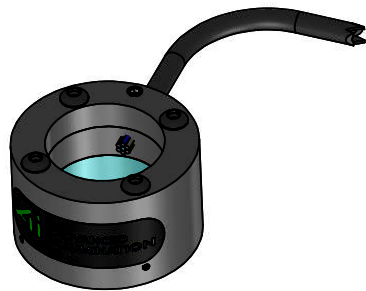
45°

CABLE ENTRY

.09in  
[2.2mm]  
(TYP.)

Ø 1.57in  
[40.0mm]

4X M4 MOUNTING SCREWS



FOR REFERENCE ONLY

**PROPRIETARY AND CONFIDENTIAL**  
THESE DRAWINGS AND SPECIFICATIONS ARE THE EXCLUSIVE PROPERTIES OF ADVANCED ILLUMINATION INCORPORATED ISSUED IN STRICT CONFIDENCE AND SHALL NOT, WITHOUT THE PRIOR WRITTEN PERMISSION OF ADVANCED ILLUMINATION INC BE REPRODUCED, COPIED OR USED FOR ANY PURPOSE WHATSOEVER EXCEPT THE MANUFACTURE OF ARTICLES FOR ADVANCED ILLUMINATION INC

CUT USING:		UNLESS OTHERWISE SPECIFIED: SURFACE SHOULD BE FREE OF SCRATCHES, BURRS, AND DENTS DIMENSIONS ARE IN: INCHES <u>TOLERANCES</u> FRACTIONAL ± 1/16 ANGULAR: MACH ± 1 BEND ± 1 TWO PLACE DECIMAL ± .010 THREE PLACE DECIMAL ± .005 MAKE FROM	DATE	NAME	
			DRAWN	25-FEB-21	Ai
			CHECKED	--	--
			APPROVED	--	--
			MATERIAL		
NEXT ASSY	USED ON	FINISH			
APPLICATION					

**UNIT WEIGHT: 0.19 lbs**

**Ai** ADVANCED ILLUMINATION 440 STATE GARAGE ROAD, ROCHESTER, VERMONT 05767

TITLE:  
DRAWING, INSTALLATION, DF196-050

SIZE	DWG. NO.	REV
<b>A</b>	DF196-050	-

SCALE: NTS/C CODE: - SHEET 1 OF 1