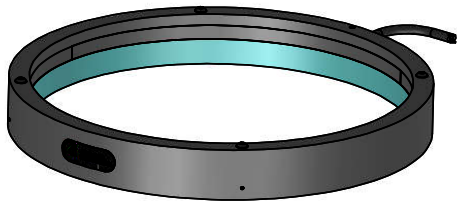
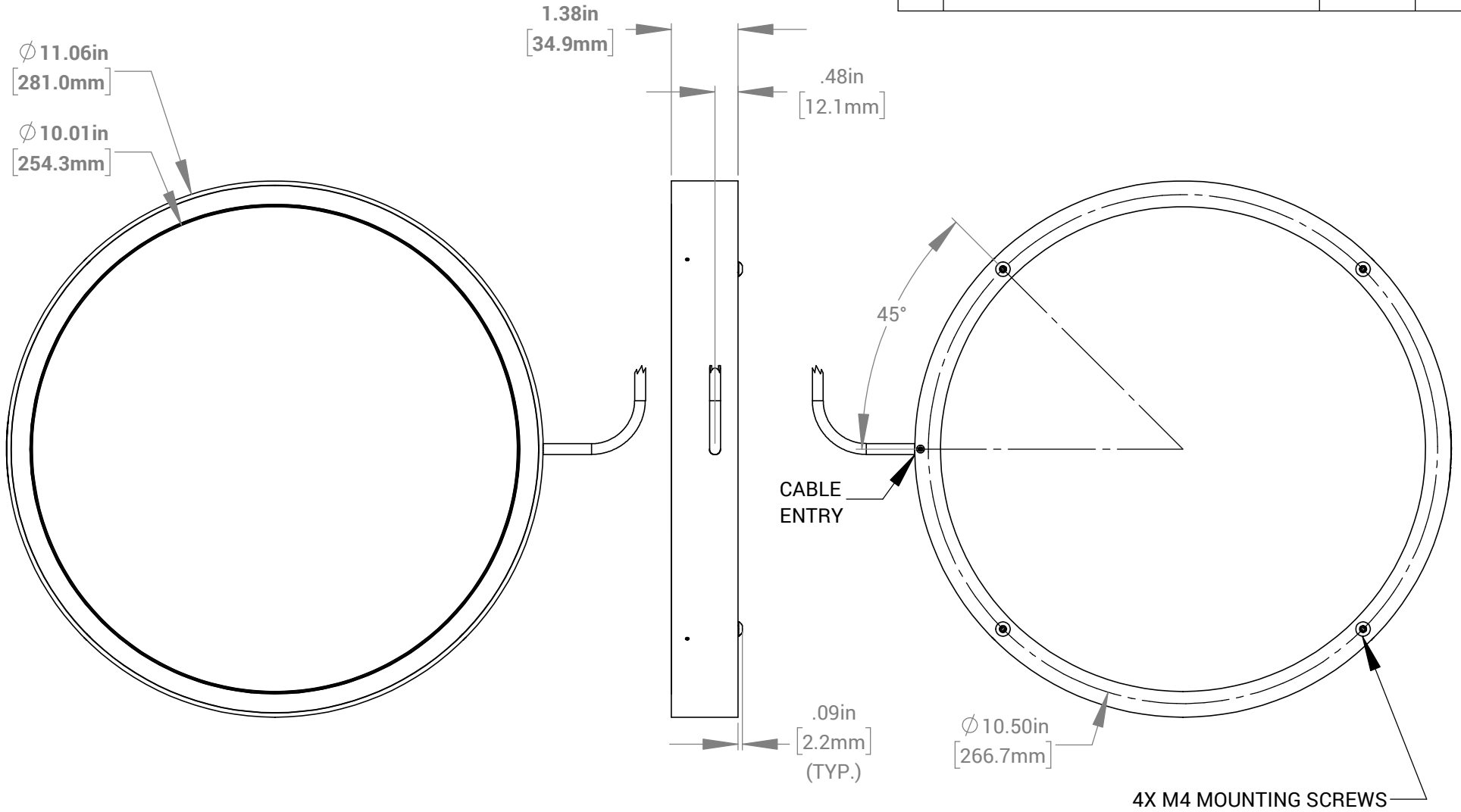


REVISIONS			
REV.	DESCRIPTION	DATE	DCN NO
-	FOR QUOTING PURPOSES ONLY		



FOR REFERENCE ONLY

PROPRIETARY AND CONFIDENTIAL
 THESE DRAWINGS AND SPECIFICATIONS ARE THE EXCLUSIVE PROPERTIES OF ADVANCED ILLUMINATION INCORPORATED ISSUED IN STRICT CONFIDENCE AND SHALL NOT, WITHOUT THE PRIOR WRITTEN PERMISSION OF ADVANCED ILLUMINATION INC BE REPRODUCED, COPIED OR USED FOR ANY PURPOSE WHATSOEVER EXCEPT THE MANUFACTURE OF ARTICLES FOR ADVANCED ILLUMINATION INC

CUT USING:		UNLESS OTHERWISE SPECIFIED:		DATE	NAME
		SURFACE SHOULD BE FREE OF SCRATCHES, BURRS, AND DENTS		25-FEB-21	Ai
		DIMENSIONS ARE IN: INCHES			
		<u>TOLERANCES</u>			
		FRACTIONAL \pm 1/16			
		ANGULAR: MACH \pm 1 BEND \pm 1			
		TWO PLACE DECIMAL \pm .010			
		THREE PLACE DECIMAL \pm .005			
NEXT ASSY	USED ON	MAKE FROM			
APPLICATION					

DRAWN		DATE	NAME	ADVANCED ILLUMINATION 440 STATE GARAGE ROAD, ROCHESTER, VERMONT 05767
CHECKED		--	--	
APPROVED		--	--	
MATERIAL				TITLE: DRAWING, INSTALLATION, DF196-280
FINISH				
SIZE	DWG. NO.	REV		
A	DF196-280	-		
SCALE: NTS/C CODE: -			SHEET 1 OF 1	

UNIT WEIGHT: 1.72 lbs