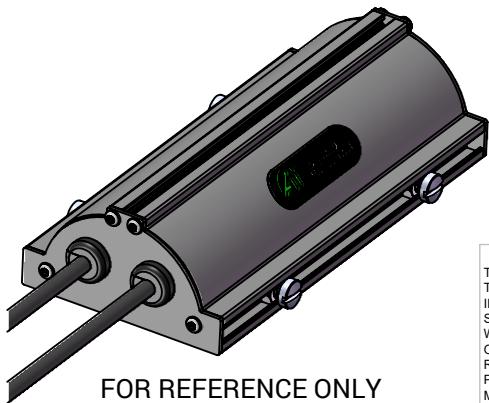
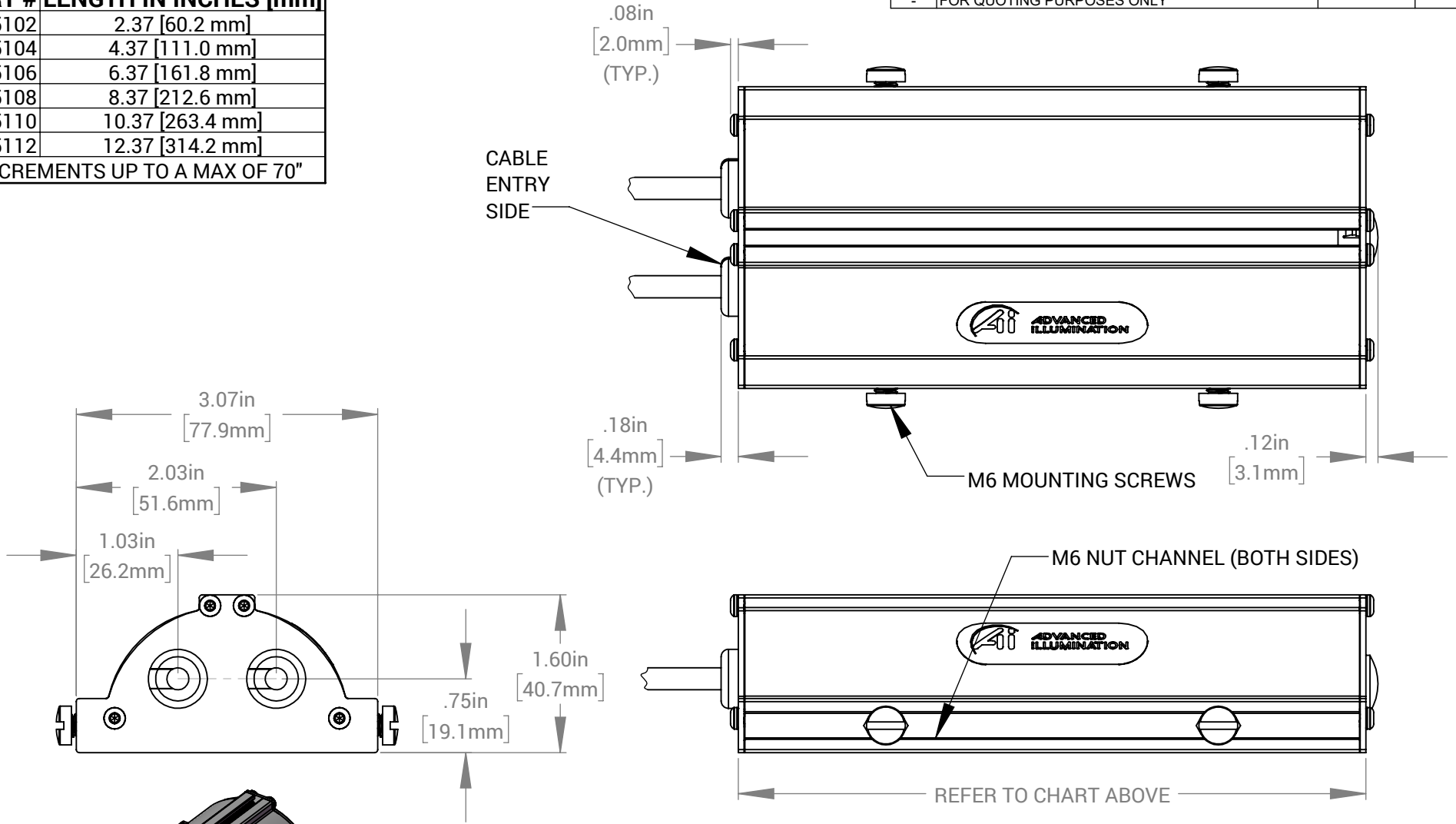


DL151 LENGTH MATRIX	
PART #	LENGTH IN INCHES [mm]
DL15102	2.37 [60.2 mm]
DL15104	4.37 [111.0 mm]
DL15106	6.37 [161.8 mm]
DL15108	8.37 [212.6 mm]
DL15110	10.37 [263.4 mm]
DL15112	12.37 [314.2 mm]
2" INCREMENTS UP TO A MAX OF 70"	

REVISIONS			
REV.	DESCRIPTION	DATE	DCN NO
-	FOR QUOTING PURPOSES ONLY		



PROPRIETARY AND CONFIDENTIAL
 THESE DRAWINGS AND SPECIFICATIONS ARE THE EXCLUSIVE PROPERTIES OF ADVANCED ILLUMINATION INCORPORATED ISSUED IN STRICT CONFIDENCE AND SHALL NOT, WITHOUT THE PRIOR WRITTEN PERMISSION OF ADVANCED ILLUMINATION INC BE REPRODUCED, COPIED OR USED FOR ANY PURPOSE WHATSOEVER EXCEPT THE MANUFACTURE OF ARTICLES FOR ADVANCED ILLUMINATION INC

12" UNIT WEIGHT: 0.93 lbs

CUT USING:		UNLESS OTHERWISE SPECIFIED:	DATE	NAME	 440 STATE GARAGE ROAD, ROCHESTER, VERMONT 05767
		SURFACE SHOULD BE FREE OF SCRATCHES, BURRS, AND DENTS	26-FEB-21	Ai	
		DIMENSIONS ARE IN: INCHES	CHECKED	--	TITLE: DRAWING, INSTALLATION, DUAL CABLE, DL151
		<u>TOLERANCES</u>	APPROVED	--	
		FRACTIONAL: 1/16	MATERIAL		SIZE DWG. NO. REV A DL151 (DUAL CABLE) -
		ANGULAR: MACH: 1 BEND: 1	FINISH		
NEXT ASSY	USED ON	TWO PLACE DECIMAL: .010			SCALE: NTS/C CODE: - SHEET 1 OF 1
		THREE PLACE DECIMAL: .005			
	APPLICATION	MAKE FROM			