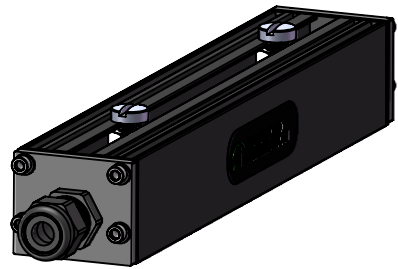
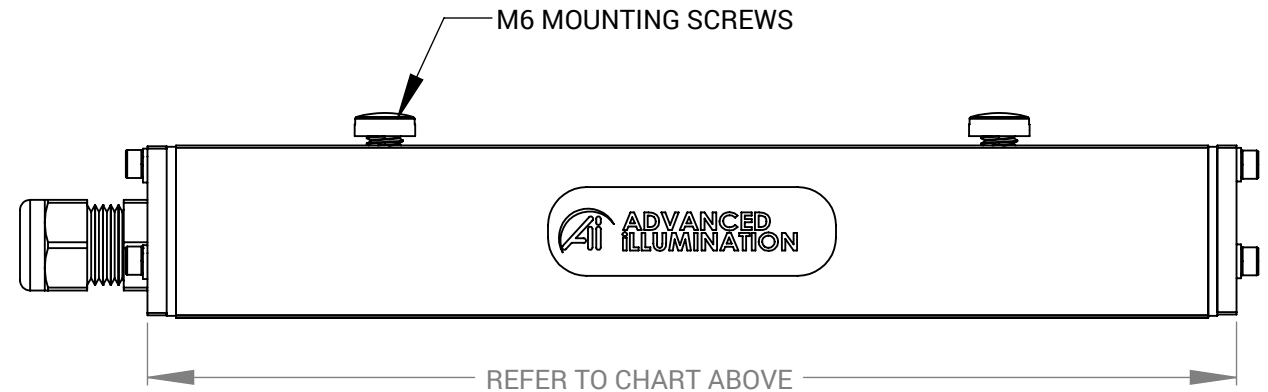
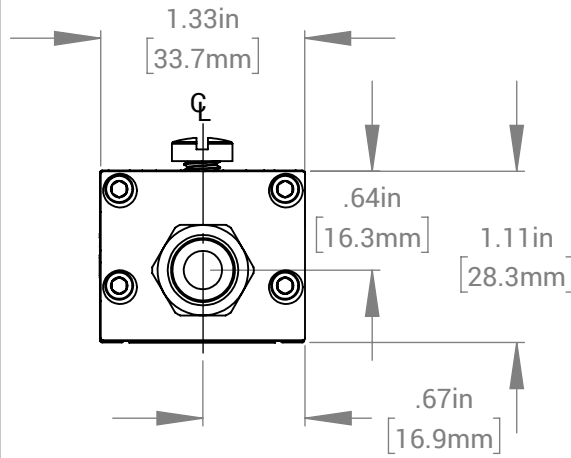
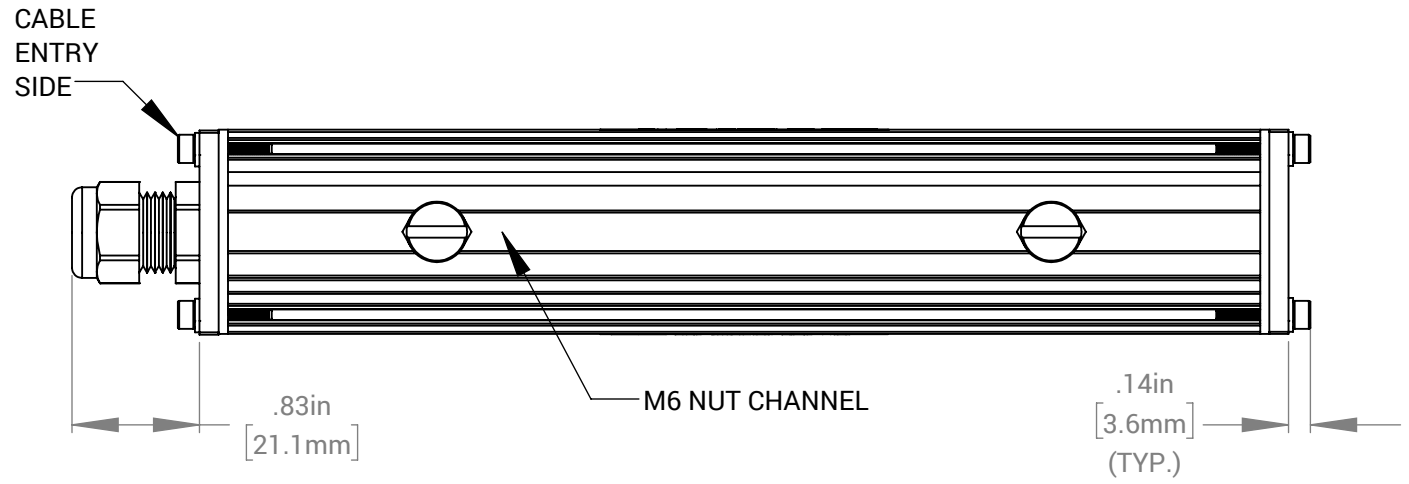


### LL174 LENGTH MATRIX

PART #	LENGTH IN INCHES (mm)
LL17406	7.09 (180.1 mm)
LL17412	13.09 (332.5 mm)
LL17418	19.09 (484.9 mm)
LL17424	25.09 (637.3 mm)
LL17430	31.09 (789.7 mm)
LL17436	37.09 (942.1 mm)
LL17442	43.09 (1094.5 mm)
LL17448	49.09 (1246.9 mm)
LL17454	55.09 (1399.3 mm)
LL17460	61.09 (1551.7 mm)
LL17466	67.09 (1704.1 mm)
LL17472	73.09 (1856.5 mm)
LL17478	79.09 (2008.9 mm)
LL17484	85.09 (2161.3 mm)

REVISIONS			
REV.	DESCRIPTION	DATE	DCN NO
-	FOR QUOTING PURPOSES ONLY		



FOR REFERENCE ONLY

**PROPRIETARY AND CONFIDENTIAL**  
 THESE DRAWINGS AND SPECIFICATIONS ARE THE EXCLUSIVE PROPERTIES OF ADVANCED ILLUMINATION INCORPORATED ISSUED IN STRICT CONFIDENCE AND SHALL NOT, WITHOUT THE PRIOR WRITTEN PERMISSION OF ADVANCED ILLUMINATION INC BE REPRODUCED, COPIED OR USED FOR ANY PURPOSE WHATSOEVER EXCEPT FOR THE MANUFACTURE OF ARTICLES FOR ADVANCED ILLUMINATION INC

**6" UNIT WEIGHT: 3.76 lbs**

CUT USING:		UNLESS OTHERWISE SPECIFIED:	DATE	NAME	 440 STATE GARAGE ROAD, ROCHESTER, VERMONT 05767
		SURFACE SHOULD BE FREE OF SCRATCHES, BURRS, AND DENTS	26-FEB-21	Ai	
		DIMENSIONS ARE IN: INCHES	CHECKED	--	TITLE: DRAWING, INSTALLATION, LL174 (SEALED)
		TOLERANCES	APPROVED	--	
		FRACTIONAL: 1/16	MATERIAL		SIZE DWG. NO. REV <b>A</b> LL174 (SEALED) -
		ANGULAR: MACH ± 1 BEND ± 1	FINISH		
NEXT ASSY	USED ON	TWO PLACE DECIMAL ± .010			SCALE: NTS C CODE: - SHEET 1 OF 1
		THREE PLACE DECIMAL ± .005			
	APPLICATION	MAKE FROM			