

TOP DETAIL

os3155 FRAME
Top Detail

GENERAL TOLERANCES
3 PLACE DECIMAL -4- .004
2 PLACE DECIMAL -4- .010
UNLESS OTHERWISE SPECIFIED BREAK ANGLULAR DIM. -4- 1
ALL SHARP EDGES .050 RADIUS X .45

DESIGNED BY SKF
DRAWN BY SKF
FINAL APPROVAL BY SKF

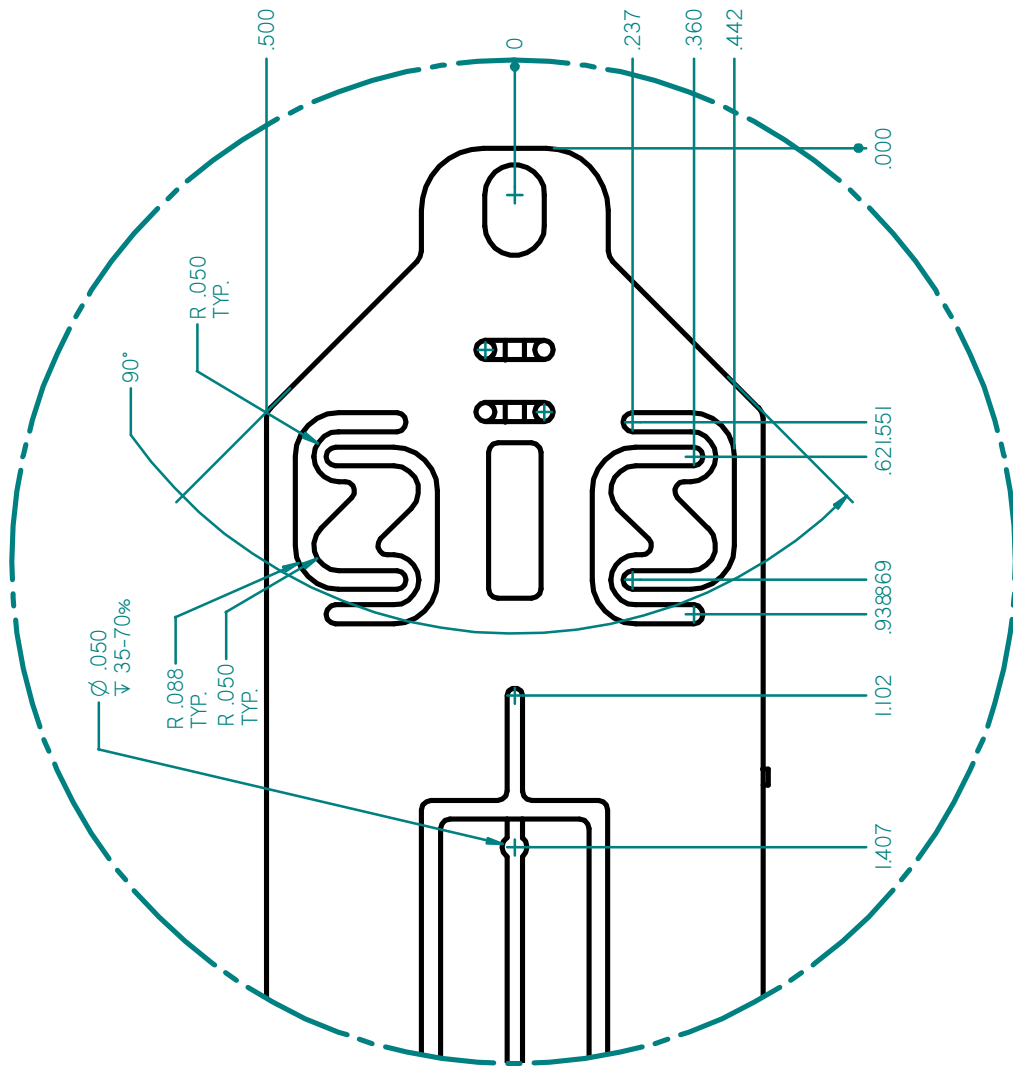
DESIGNED BY	SKF	SIZE	B	SHEET NO.	2
DRAWN BY	SKF	DRAWING NO.			
FINAL APPROVAL BY	SKF				



MICRON OPTICS, INC.

222983

THIS ENGLISH DRAWING HAS BEEN PREPARED IN ACCORDANCE WITH ANSI Y14.5M - 1982. DIMENSIONS SHOWN IN BRACKETS ARE MILLIMETERS AND FOR REFERENCE.



BOTTOM DETAIL

os3155 FRAME
Bottom Detail

GENERAL TOLERANCES
3 PLACE DECIMAL -4- .004
2 PLACE DECIMAL -4- .010
UNLESS OTHERWISE SPECIFIED
ALL SHARP EDGES .005/0.10 X .45
ANGULAR DIM. -4- .1

THIS ENGLISH DRAWING HAS BEEN PREPARED IN ACCORDANCE WITH ANSI Y14.5M - 1982. DIMENSIONS SHOWN IN BRACKETS ARE MILLIMETERS AND FOR REFERENCE.

DESIGNED BY	SKF	DRAWN BY	SKF	FINAL APPROVAL	SIZE	B	SHEET NO.	3
							DRAWING NO.	222983



MICRON OPTICS, INC.