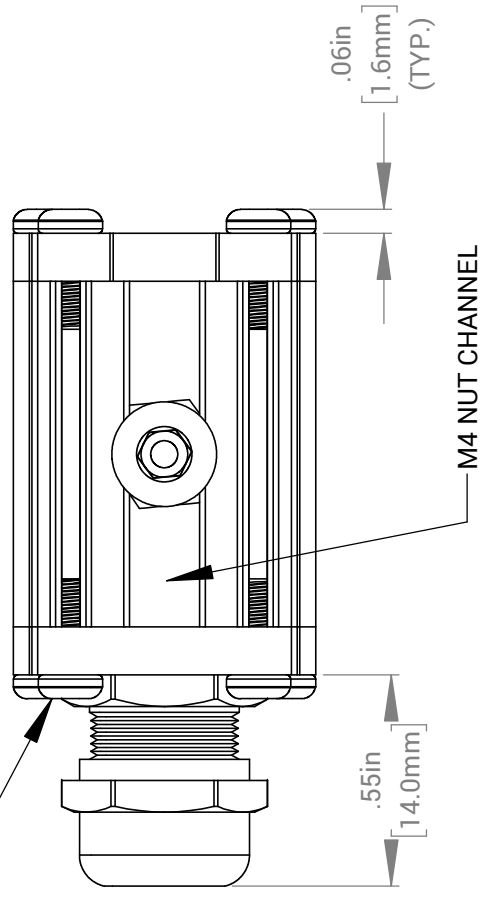
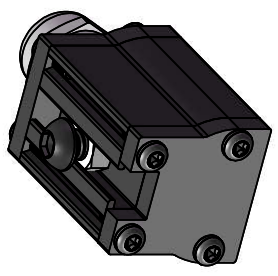
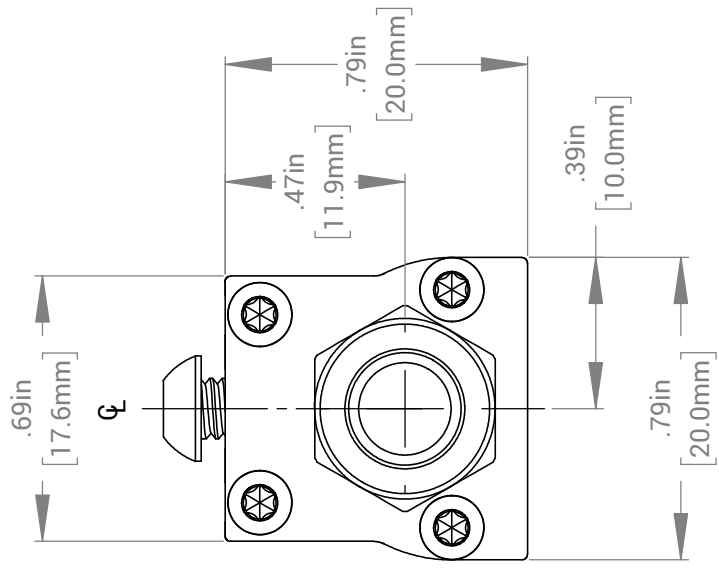
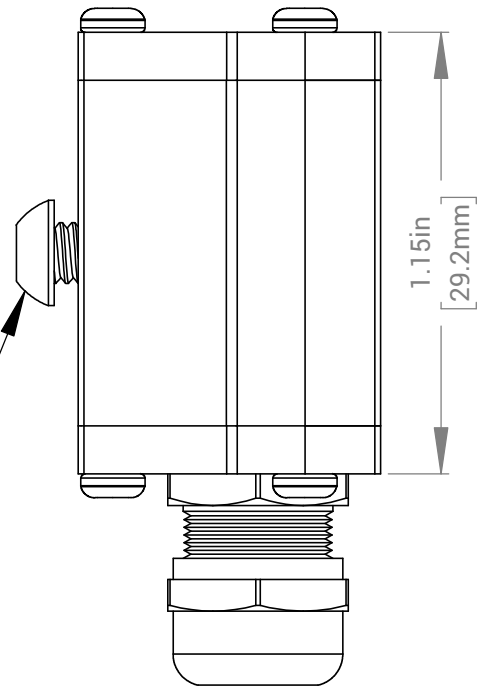


REVOLUTIONS		
REV.	DESCRIPTION	DATE
-	FOR QUOTING PURPOSES ONLY	
		DCN NO

CABLE ENTRY SIDE



M4 MOUNTING SCREW



FOR REFERENCE ONLY

UNIT WEIGHT: .053 lbs

CUT USING: -		UNLESS OTHERWISE SPECIFIED: SURFACE SHOULD BE FREE OF SCRATCHES, BURRS, AND DENTS		NAME T. MILLS		DATE 11-JUN-18		ADVANCED ILLUMINATION 440 STATE GARAGE ROAD, ROCHESTER, VERMONT 05767	
		DIMENSIONS ARE IN: INCHES		DRAWN		CHECKED		TITLE: DRAWING, INSTALLATION, SL243 (NONSEALED)	
		TOLERANCES		APPROVED		MATERIAL		SIZE DWG. NO. A SL243 (NONSEALED)	
		FRACTIONAL ± 1/16		FINISH		MAKE FROM		REV -	
		ANGULAR: MACH ± 1 BEND ± 1		NEXT ASSY		USED ON		SCALE: NTS C CODE: - SHEET 1 OF 1	
		TWO PLACE DECIMAL ± .010		APPLICATION				1160.050006 REV.	
		THREE PLACE DECIMAL ± .005							
		MAKE FROM							

PROPRIETARY AND CONFIDENTIAL
THESE DRAWINGS AND SPECIFICATIONS ARE
THE EXCLUSIVE PROPERTY OF ADVANCED
ILLUMINATION INCORPORATED ISSUED IN
STRICT CONFIDENCE AND SHALL NOT
WITHOUT THE PRIOR WRITTEN PERMISSION
OF ADVANCED ILLUMINATION INC BE
REPRODUCED, COPIED OR USED FOR ANY
PURPOSE WHATSOEVER EXCEPT THE
MANUFACTURE OF ARTICLES FOR
ADVANCED ILLUMINATION INC