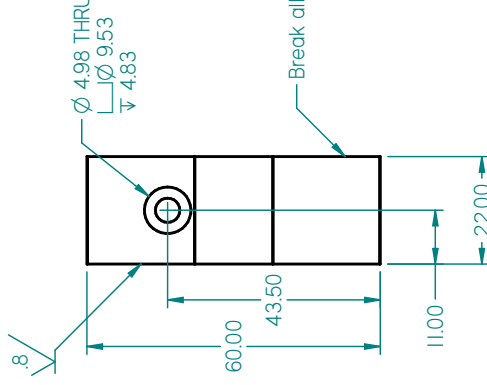
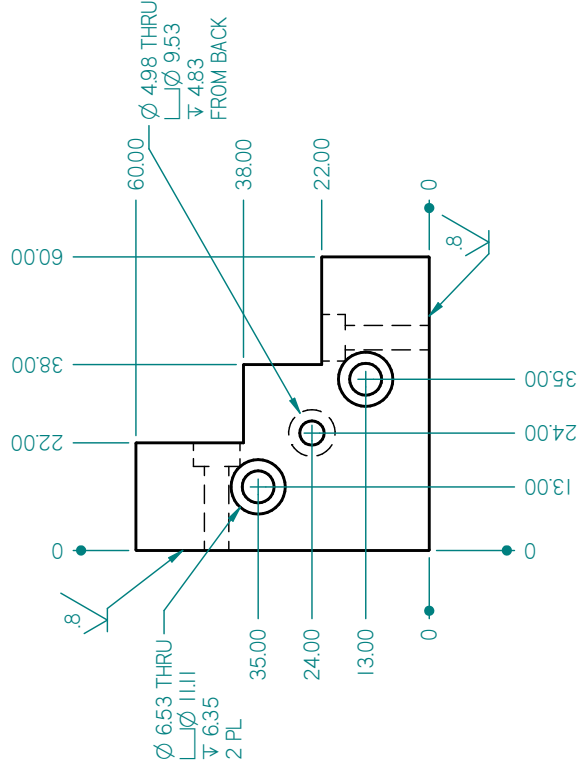
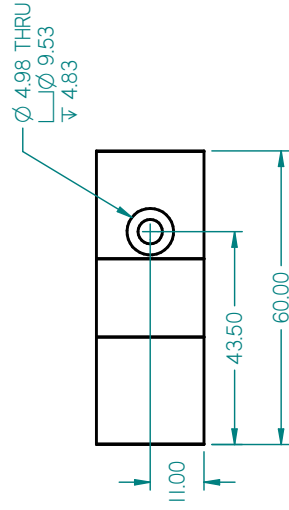
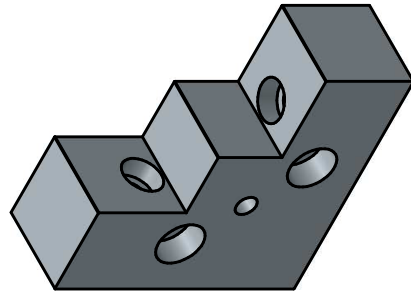


REVISION HISTORY

REV	DESCRIPTION	DATE	EO NUMBER
X1	Initial Release	10/3/2018	XXXXXXXXXXXX
X2	Add surface spec to 3 mounting surfaces	12/4/2018	XXXXXXXXXXXX



MICRON OPTICS PROPRIETARY
THIS DOCUMENT CONTAINS MATERIAL AND/OR INFORMATION WHICH IS THE PROPERTY OF MICRON OPTICS, INC. NO PARTS, OR INFORMATION FROM THIS DOCUMENT IS TO BE REPRODUCED, COPIED, TRANSMITTED, OR IN ANY MANNER DISCLOSED TO THE PUBLIC WITHOUT THE WRITTEN CONSENT OF MICRON OPTICS, INC.

DIMENSIONS IN MILLIMETERS
INTERPRET DRAWINGS PER ASME Y 14.5 - 2009

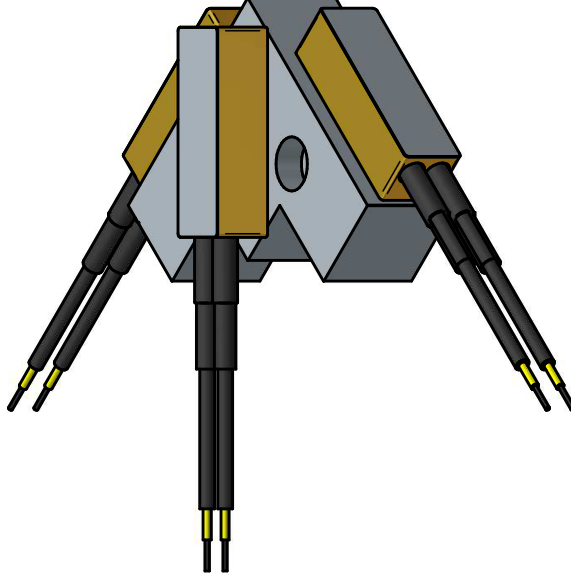
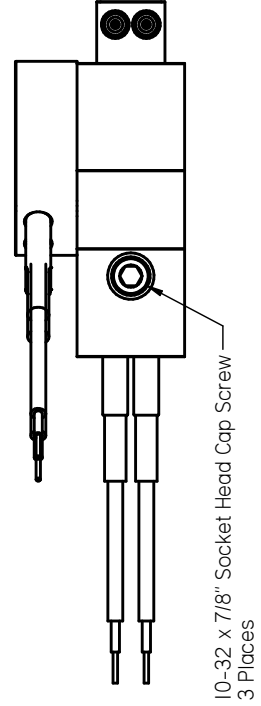
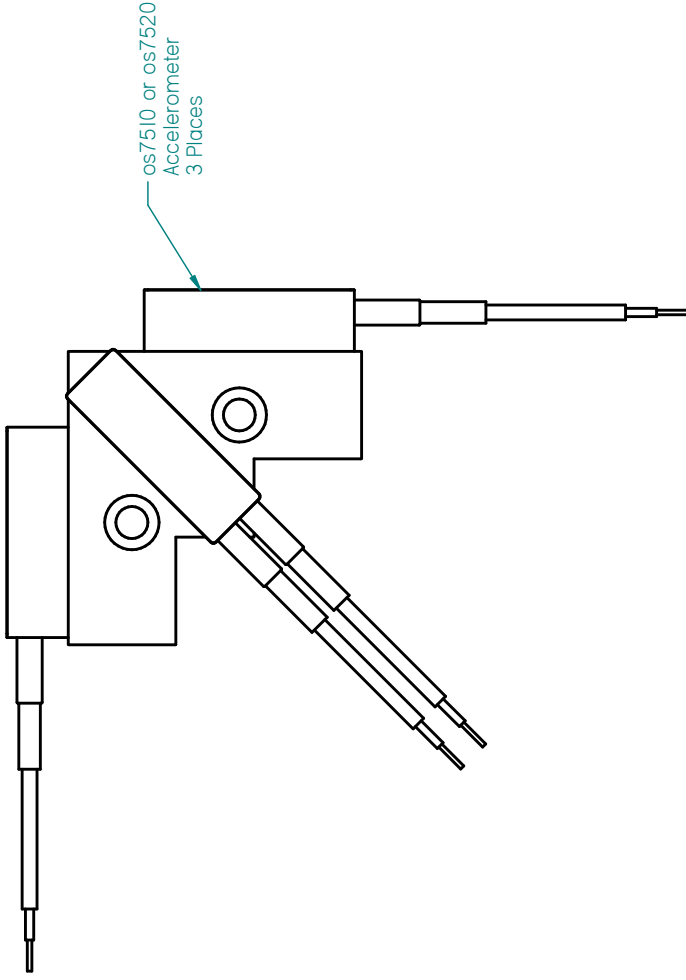
GENERAL TOLERANCE
UNLESS OTHERWISE SPECIFIED
DECIMAL MM: X = +0.13, Y = +0.05, Z = +0.15
MACHINED SURFACES = 1.6um

GOLDENROD Triaxial Mount	
PART NO	DRAWING NO
430-400118	
DESIGNED BY	SIZE
STEVE F	B
	SHEET 1 OF 2

MATERIAL: 304 Stainless Steel

REVISION HISTORY

REV	DESCRIPTION	DATE	EO NUMBER
X1	Initial Release	10/3/2018	XXXXXXXXXX
X2	Add surface spec to 3 mounting surfaces	12/4/2018	XXXXXXXXXX



MICRON OPTICS PROPRIETARY
 THIS DOCUMENT CONTAINS MATERIAL AND/OR
 INFORMATION WHICH IS THE PROPERTY OF
 MICRON OPTICS, INC. IT IS TO BE USED ONLY AS
 A PROPRIETARY PART, AND MUST BE RETURNED
 UPON REQUEST, DO NOT CIRCULATE, REPRODUCE
 OR DIVULGE IN ANY MANNER WITHOUT THE WRITTEN
 CONSENT OF MICRON OPTICS, INC.

DIMENSIONS IN MILLIMETERS
 INTERPRET DRAWINGS PER ASME Y 14.5 - 2009

**GENERAL TOLERANCE
 UNLESS OTHERWISE SPECIFIED**
 DECIMAL MM: X = +0.1, Y = +0.05, Z = +0.015
 MACHINED SURFACES = +1.6um



GOLDENROD
 Triaxial Mount

DRAWING NO

430-400118

PART NO

STEVE F

SIZE

B

DRAWING NO

SHEET 2 OF 2